

光电式平层开关使用说明书

Photoelectric Level Switch Operating Instructions

苏州烨炜上品电气有限公司

中国·苏州

Add : 江苏昆山陆家仕泰隆国际模具城 L13-1

Tel : +86 0512 50356840 Fax : +86 0512 57289418

Http: www.sunpn.net E-mail: sales@sunpn.net

1、型号 Model: GD16A

2、产品名称 Product name:

光电式平层开关 PHOTOELECTRIC LEVEL SWITCH

3、概要 Introduction:

本产品为电梯专用光电式平层开关，反应速度快、信号输出稳定。

Photoelectric level switch is a special product of elevator. It has advantages of fast reaction speed, and stable signal output.

4、使用说明 Instructions:

1)、依照图纸连接到电梯控制器上;

Connect to the elevator controller according to the drawing;

2)、检查指示灯动作是否正常;

Check the indicator light action is normal;

3)、指示灯显示状态：遮挡时，指示灯常亮；无遮挡时，指示灯不亮。

Indicator light display status: block, the light is always bright; no shelter, the indicator light is not bright.

5、电气特性 Electrical characteristics:

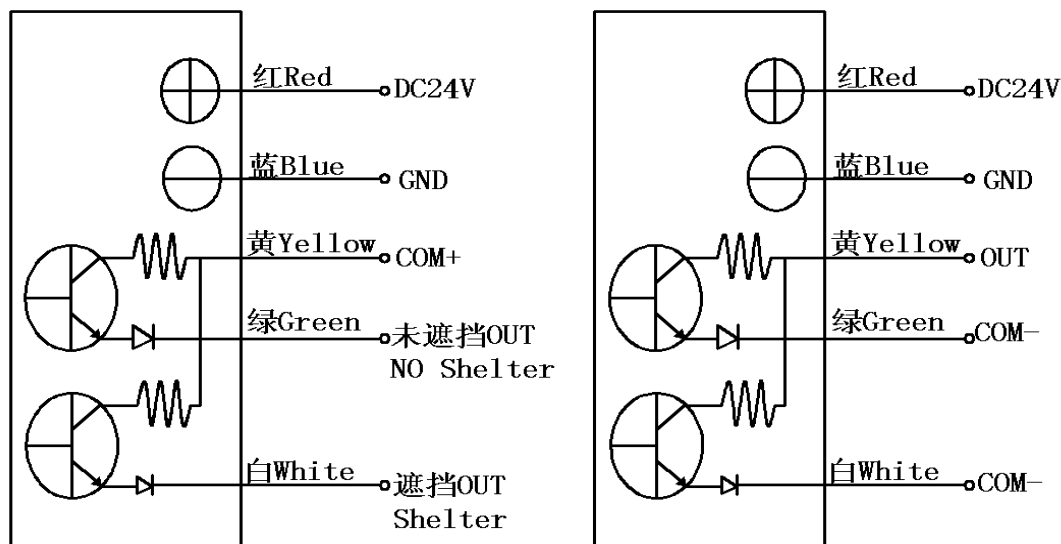
标准供电电压 Standard power supply voltage	DC24V	
供电电压范围 Power supply voltage range	DC10V-DC35V	
待机电流损耗 Standby current loss	标准输入电压 Standard input voltage	30mA
	最低输入电压 Minimum input voltage	28mA
	最高输入电压 Maximum input voltage	33mA
输出模式 Output mode	NPN 晶体管 NPN transistor	
输入反应速度 Input reaction rate	7.60us	
规格尺寸 Specification size	58.5mmX80mmX23.5mm	
净重 Net weight	110g	

6、接线图 Wiring

1)、共阳输出电路图

2)、共阴输出电路图

Total output circuit cathode output circuit



注释:

a) 当黄线接 COM+时, 白线为遮挡输出

When the yellow line is connected to the COM+, the white line shielding output.

当黄线接 COM+时, 绿线为无遮挡输出

When the yellow line is connected to the COM+, the green line for non blocking output.

b) 当白线接 COM-时, 黄线为遮挡输出

When the white line is connected to the COM-, the yellow line to block output.

当绿线接 COM-时, 黄线为无遮挡输出

When the green line is connected to the COM-, the yellow line for non blocking output.